

3867T
12180T 15343T
72438T

热带雨林方花洒
热带雨林花洒
头顶花洒

安装之前

BEFORE YOU BEGIN

所有的资料是按最新出版的产品资料编写而成。科勒公司保留任何时候不经通知即可改变产品特性、包装或产品可供类型的权利。

All information is based on the latest product information available at the time of publication. Kohler Co. reserves the right to make changes in product characteristics, packaging, or availability at any time without notice.

说明书包括重要的安装、保养及清洁方面的内容，请把这些资料交给用户阅读。

Please leave these instructions for the consumer. They contain important information.

注意事项：

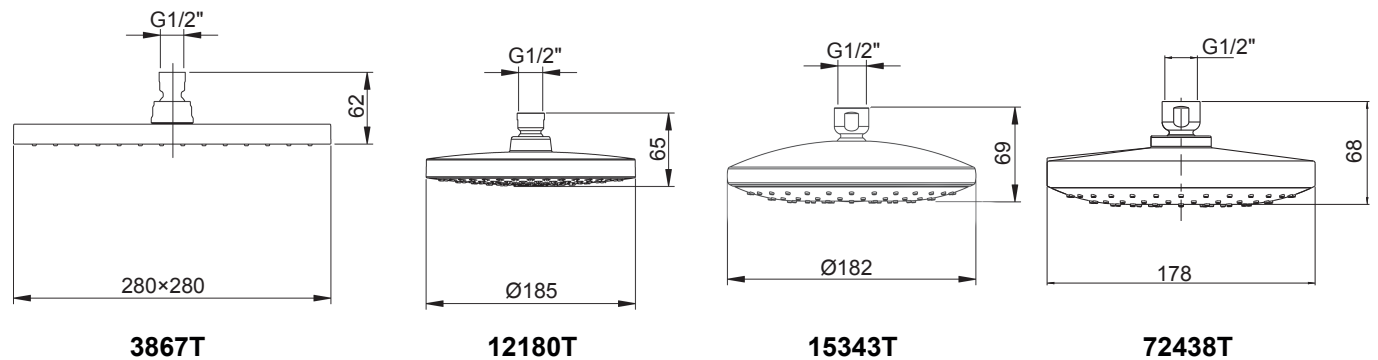
NOTES:

- 一定要先彻底冲洗供水管以清除管道中的杂质。
- 花洒最高工作压力：**0.5MPa(5bar)**。水压超过**0.5MPa(5bar)**须安装减压阀。花洒最高工作温度及环境温度：**60°C**。请特别注意花洒同花洒连接的臂管须远离浴霸，否则可能损坏花洒及其密封件，甚至对使用者造成伤害。

- Flush the water supply pipes thoroughly to remove debris.
- The highest working pressure for showerhead is 0.5MPa(5 bar). If it exceeds 0.5MPa(5 bar), a pressure reducer is needed. The highest water and environment temperature is 60°C. Please keep handspray, shower head and the shower arm away from heater, or it may become damaged and cause injury to the user.

安装尺寸

ROUGH-IN DIMENSIONS



安装步骤

INSTALLATION

如何安装花洒头

How to Install the Shower Head

安装花洒头(1)之前，先打开水源冲洗掉杂质。

Flush both water supplies through the shower arm to remove debris before the showerhead(1) is installed.

对于12180T，取出垫片(3)，按图示方向放入限流器(2-1)。

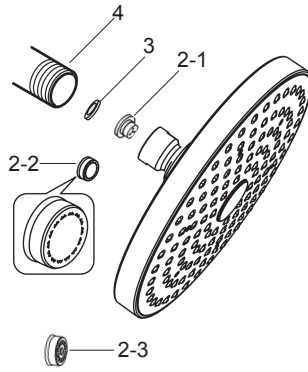
For 12180T, take out the washer(3), put the restrictor (2-1) into the ball joint as the figure shown.

对于3867T, 安装限流器(2-2)和垫片(3)。

对于15343T和72438T, 安装限流器(2-2)和垫片(3)。

在花洒臂(4, 客户自备)的螺纹上缠绕足以密封的密封胶带或涂适合的密封胶, 用带状扳手将花洒头旋到花洒臂上。

注意: 若水压太低, 不需要安装限流器。水压超过0.3MPa(3Bar), 花洒必须安装限流器。



For 3867T, install the restrictor(2-2) and the washer(3) into the ball joint.

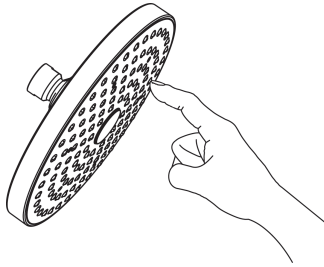
For 15343T & 72438T, install the restrictor(2-3) and the washer(3) into the ball joint.

Apply enough tape or sealant to the threads of the shower arm(4, not provided). Tighten the shower head with a strap wrench.

NOTE: If working pressure is too low, restrictor is not needed. Restrictor must be installed if water pressure exceeds 0.3MPa(3bar).

如何清除喷孔水垢, 杂质

喷孔杂质或结垢会导致水流变形, 流量变小。打开水源, 用力按压或摩擦橡胶喷孔, 去除杂质或水垢。



How to Clean the Nozzle

Any debris or mineral build-up may cause the flow stream to become distorted or reduce the flowrate. To remove the debris or mineral build-up, run water through the shower head, firmly press or rub your finger back and forth across the rubber nozzles.

清理说明

适用于所有加工处理过的表面: 以中性肥皂水清洗镀层表面, 再以干净的软布彻底擦干整个表面, 许多清洁剂, 比如氨水、去污粉及洁厕灵等, 会对电镀表面造成伤害, 切忌使用。

有磨损性的清洁用具或清洁剂也不可使用时科勒牌的水龙头及其配件上。

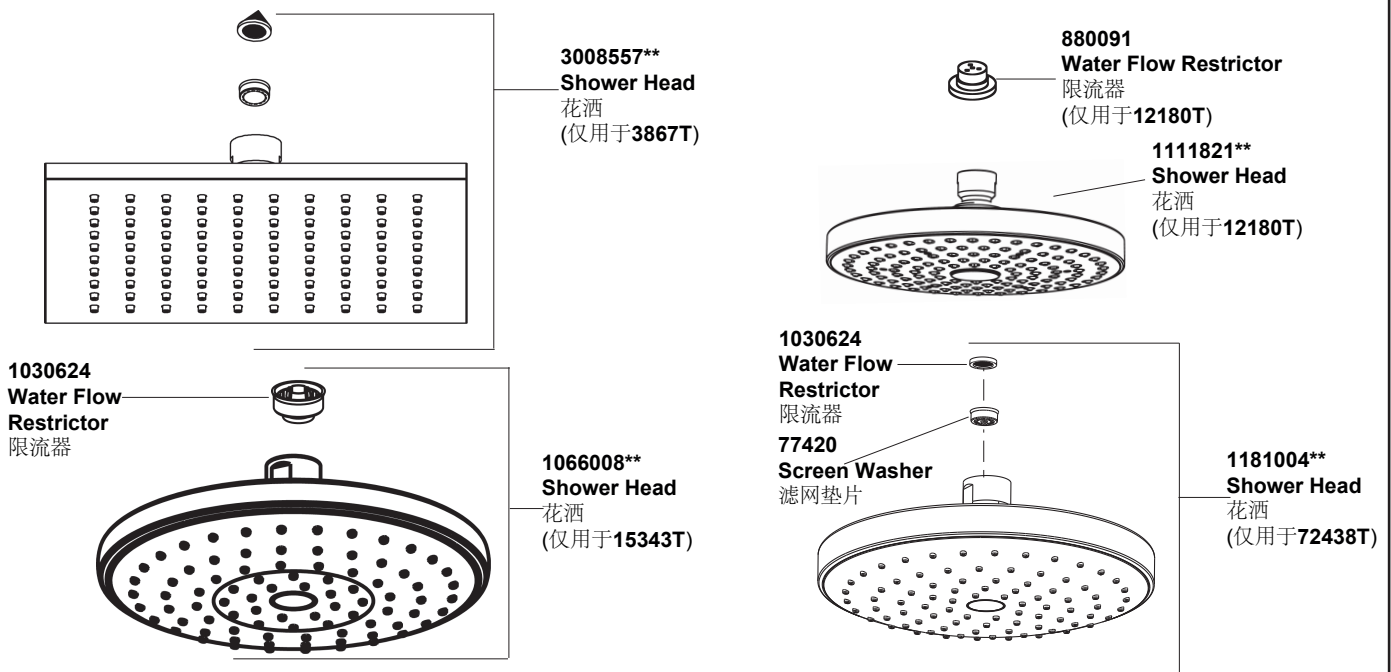
CLEANING INSTRUCTIONS

All Finishes: Clean the finish with mild soap and warm water. Wipe entire surface completely dry with clean soft cloth. Many cleaners may contain chemicals, such as ammonia, chlorine, toilet cleaner etc, which could adversely affect the finish and are not recommended for cleaning.

Do not use abrasive cleaners or solvents on Kohler faucets and fittings.

零件图

SERVICE PARTS



**订购时请说明颜色编号

**Color code must be specified when ordering